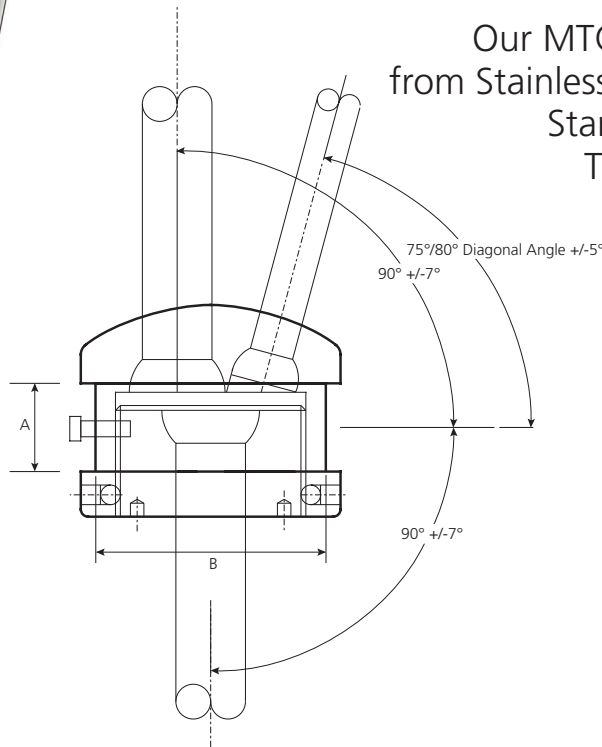


NEW FROM STA-LOK®

...an exciting range of spreader end tip cups designed specifically for wire rope 12mm – 19mm

Our MTC range is precision engineered from Stainless Steel to the highest standards
Standard diagonal angles 75°/80°,
Tip cups can be custom finished to meet client specifications.



Easy installation

Supplied with:
042 Stemball Swages and
B54 Stemball and Swage
Forged Bronze Turnbuckle

STA-LOK SPREADER END TIP CUP

Cat Ref	Lower Wire Diameter	Upper Wire Diameter	Diagonal Wire Diameter	Diagonal Angle	A	B
MTC-141210 75	14	12	10	75	36	90
MTC-141210 80	14	12	10	80	36	90
MTC-161410 75	16	14	10	75	36	90
MTC-161410 80	16	14	10	80	36	90
MTC-161412 75	16	14	12	75	36	90
MTC-161412 80	16	14	12	80	36	90
MTC-161610 75	16	16	10	75	36	90
MTC-161610 80	16	16	10	80	36	90
MTC-161612 75	16	16	12	75	36	90
MTC-161612 80	16	16	12	80	36	90
MTC-191612 75	19	16	12	75	36	90
MTC-191612 80	19	16	12	80	36	90

Sta-Lok Terminals Limited

The Forge, Mistley Heath
Manningtree, Essex CO11 2QH England

Talk to our sales team on **+44 (0)1206 390777**
or contact us by fax on **+44 (0)1206 395286**
Email orders can be made at sales@stalok.com
or order online at www.stalok.com



**PRODUCT
UPDATE
2014**